



DITEK Corporation  
ONE DITEK CENTER  
1720 Starkey Road  
Largo, FL 33771

# INSTALL INSTRUCTIONS

## DTK-DRxxB Series, DTK-DRxxF Series

This Surge Protective Device (SPD) is a high performance device designed to provide transient protection for sensitive electronic circuits. Maximum protection will only be achieved if the SPD is properly installed. Please read and follow the installation instructions carefully.

**NOTICE:** This SPD should be installed and grounded, by a licensed contractor, per the applicable requirements of the NEC and the following instructions.

### APPLICATION

This device is intended to be mounted directly on to a 35mm DIN rail.

**DTK-DRxxB** surge protector is intended for circuits ranging from 5-130 Volts and not exceeding 5 Amps.

**DTK-DRxxF** surge protector is intended for circuits ranging from 5-130 Volts and not exceeding 1 Amp.

“xx” denotes the specific model which correlates with the service voltage of the circuit being protected.

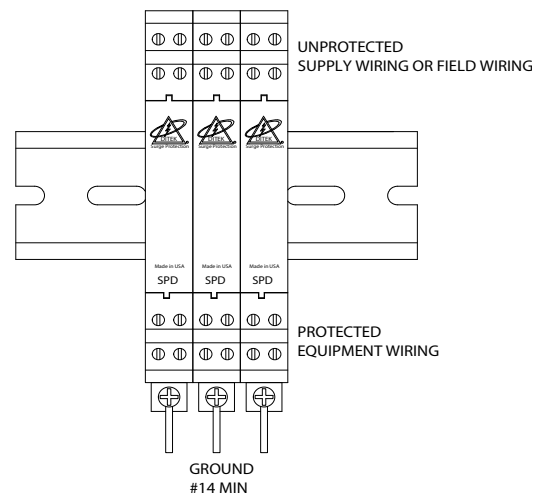
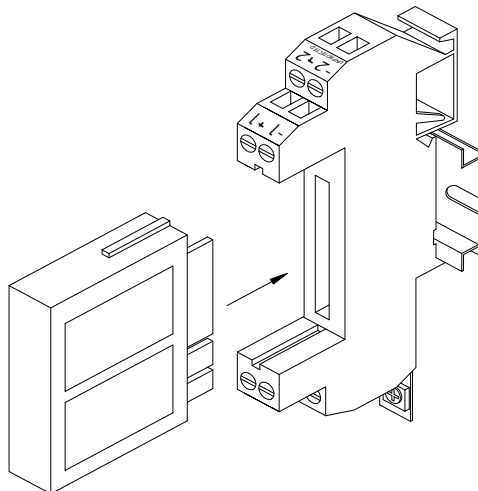
### INSTRUCTIONS:

**Caution:** Measure all voltages to ensure applied voltage does not exceed the voltage rating of the unit. Improper installation voids the warranty.

1. Turn off the power at the circuit to be protected before beginning installation.
2. Securely mount the device to the DIN rail by attaching the edge clip of the ground lug side first, then pivoting the device towards the DIN rail until it snaps into place. To remove, use a flat blade screwdriver and gently apply leverage to the molded slot on the surge protector base to release the clip from the DIN rail.
3. If the DIN rail is properly bonded & grounded per applicable NEC requirements, no further grounding is needed.
4. If the DIN rail is not grounded, connect a minimum 14 AWG ground wire to the included grounding screw. Make sure this wire is as short as possible.
5. Ground resistance should be no greater than 25 Ohms. 5 Ohms or less is recommended for optimal surge protection performance. This cannot be an assumed value and must be measured to assure proper grounding.
6. Connect the supply/field wiring to the **UNPROTECTED** side of the device. Connect the 1st pair to position 1+ and 1- , then the 2nd pair to position 2+ and 2-.
7. Connect the equipment wiring to the **PROTECTED** side of the device. Connect the 1st pair to position 1+ and 1- , then the 2nd pair to position 2+ and 2-.
8. Make sure the **UNPROTECTED** supply/field wiring and **PROTECTED** equipment wiring conductors do not occupy the same space or conduits.
9. Make sure the wire distance between the surge protector and the protected equipment is a minimum of 3' of conductor length. This can be a coiled service loop if necessary.
10. After all connections have been made, and no hazards exist, restore power.

### MODULE INSTALLATION & REPLACEMENT

Insert the protection module into the base by making sure the different width keys in the protection module are aligned correctly with the corresponding notches in the molded base.



Drawn By: Brian Aycok 01/18/21  
Revised By:

DITEK Technical Support Available 24/7  
1-888-472-6100 [www.ditekcorp.com](http://www.ditekcorp.com)

Doc # INT-100201-001  
Part No. 191642 Rev. 1

INSTALLATION