

DTK-IBNCHD

HD-CCTV Coaxial Line Surge Protector



DITEK's iBNCHD inline surge protective device is designed to protect externally-mounted cameras where a dedicated ground connection is not available. The iBNCHD diverts transient surges through the coaxial shielding, protecting the video feed without introducing ground loops. Solid performance and easy installation make the iBNCHD a favorite of HDCCTV integrators.

Product Features

- Protects externally mounted HDCCTV cameras
- Install at head-end and in camera housing to protect both ends of the video feed
- Small footprint makes installation easy
- Fits inside most camera housings
- Recommended for applications where AC power is already protected and ground is unavailable

Applications

- Externally Mounted Cameras

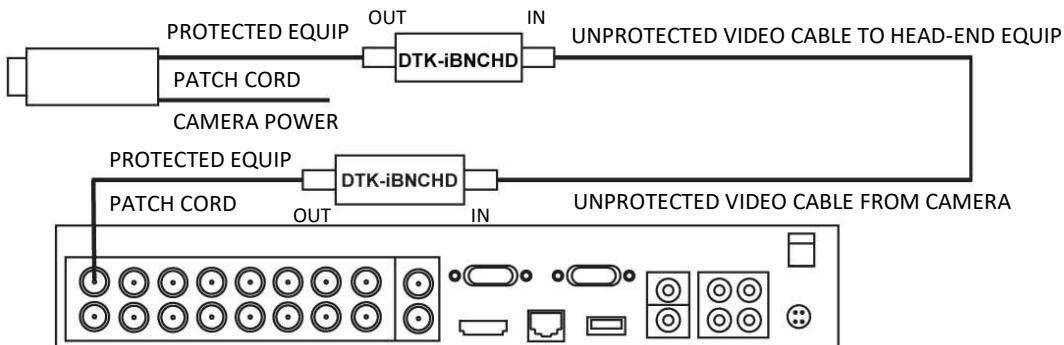
Technical Specifications

Service Voltage:	1V peak-peak
Clamping Voltage:	2.8VDC
Protection Modes:	Center Pin – Shield
Surge Current Rating:	20,000A 8/20 μ s impulse
Band Pass Range:	0Hz-10MHz
Insertion Loss:	<0.3dB/Channel
Return Loss:	22dB RL @ 10MHz
Impedance:	75 Ohms

Mechanical Characteristics

Connection Method:	BNC Female In/Out
Housing:	Aluminum
Operating Temperature:	-40°F - 158°F (-40°C - 70°C)
Dimensions:	3.6"L x 1.1 Diameter (91mm x 28mm)
Weight:	2.5oz (71g)

HD-SDI Camera Wiring Diagram



Quality, Standards & Approval

Agency Approvals:	UL497B
Warranty:	Ten Year Limited

Every precaution has been taken to ensure that this literature is accurate and complete. DITEK Corporation assumes no responsibility and disclaims all liability for damages resulting from the use of this information or for any errors or omissions.

