



DITEK Corporation  
ONE DITEK CENTER  
1720 Starkey Road  
Largo, FL 33771

# INSTALL INSTRUCTIONS

## DTK-RM12C5

This Surge Protective Device (SPD) is a high performance device, designed to provide protection for sensitive electronic loads connected to service panels, fire panels, or where the SPD is directly connected to the electronic device. Maximum protection will only be achieved if the SPD is properly installed. Please read and follow the installation instructions carefully.

**NOTICE:** This SPD should be installed by a licensed contractor in accordance with the National and Local Electrical Codes and the following instructions.

### APPLICATION

Surge suppression for rack mount network equipment and systems.

### INSTRUCTIONS

Note: This device is intended to be installed indoors on the equipment rack closest to the point of use.

1. Test circuit prior to install to verify correct operation.
2. Turn off the power to the equipment to be protected.
3. This device can be mounted in a standard 19" equipment rack, or wall mounted using a hinged wall mount bracket.
4. Connect to equipment ground using the ground lug provided on rear of faceplate. Use a minimum #10 AWG wire. Make sure the ground wire is as short as possible.

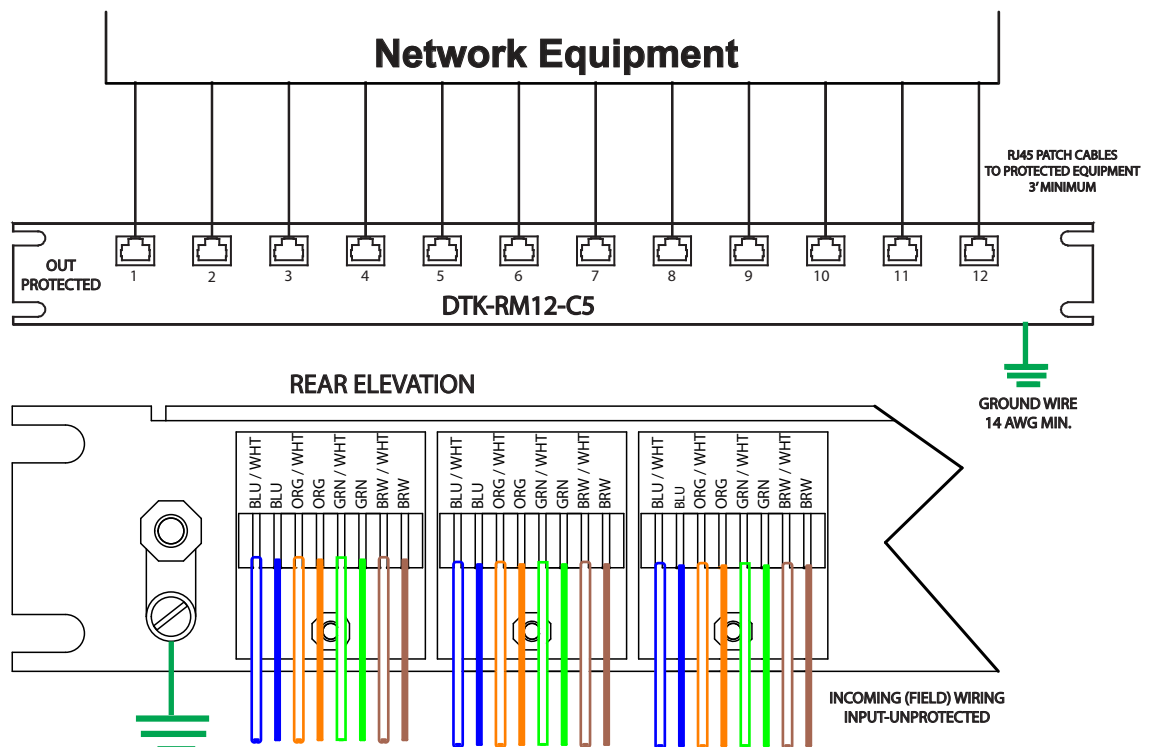
**Ground Resistance Rule: Max ground resistance is 25 Ohms, 5 Ohms or less is optimum.**

**This cannot be an assumed value and must be measured to assure proper grounding.**

5. Connect the incoming (field) wires to the IDC (110) punch down block using the proper punch down tool designed for IDC connectors. Using any other tool will damage the IDC connector and void warranty.
6. Follow the wire color codes printed on the circuit board next to the IDC connectors for wire termination points. **T568B Wiring**- BL-BL/W, BR-BR/W, GR/W-GR, OR-OR/W

This connector is rated for 26-22AWG solid conductor wire.

7. Plug a 3' RJ45 male to RJ45 male patch cable from the "OUT PROTECTED" RJ45 jack to the equipment to be protected. The 3' patch cable will give this device time to react.
8. After all connections have been made and no hazards exist, restore power to the equipment.



INSTALLATION