



D200M Series

200kA Modular Type 1 Surge Protective Device



DITEK's D200M Series Industrial Surge Protectors are designed to provide professional-grade protection to AC power systems in the most demanding environments. Each model provides a high surge current rating to ensure long service life, and includes service assurance features that help alert building management of their current protection status so that managers can take action to maintain continued protection.

PRODUCT FEATURES

- 200,000 amps per phase surge current rating ensures long service life
- Field-replaceable surge protection module
- Diagnostic LEDs provide MOV health status for each phase
- Surge counter w/ reset, audible alarm and Form C dry contacts for remote monitoring
- EMI/RFI filtering
- Phase loss indication

APPLICATIONS

- Switchboard
- Service Entrance
- Distribution Panels

REPLACEMENT MODULES

- D200M-240SM for P/N D200M-120/2401
- D200M-208YM for P/N D200M-120/2083Y
- D200M-480YM for P/N D200M-277/4803Y
- D200M-240DM for P/N D200M-2403D
- D200M-480DM for P/N D200M-4803D

TECHNICAL SPECIFICATIONS

Voltage Configurations:	See chart on page 2
Surge Current Rating:	200,000A per phase 100,000A per mode
Short Circuit Current Rating (SCCR):	200,000A
Operating Frequency:	50/60Hz
Status Indication:	LEDs per phase, Surge counter with reset, Audible alarm with disable, Form C dry contacts
EMI/RFI Filtering Attenuation:	Up to -50dB, 10kHz – 100MHz

DITEK Surge Protection, Largo, FL 33771 • Sales: 800-753-2345
Diteksurgeprotection.com • SPS-100099-001 Rev 9 05/26

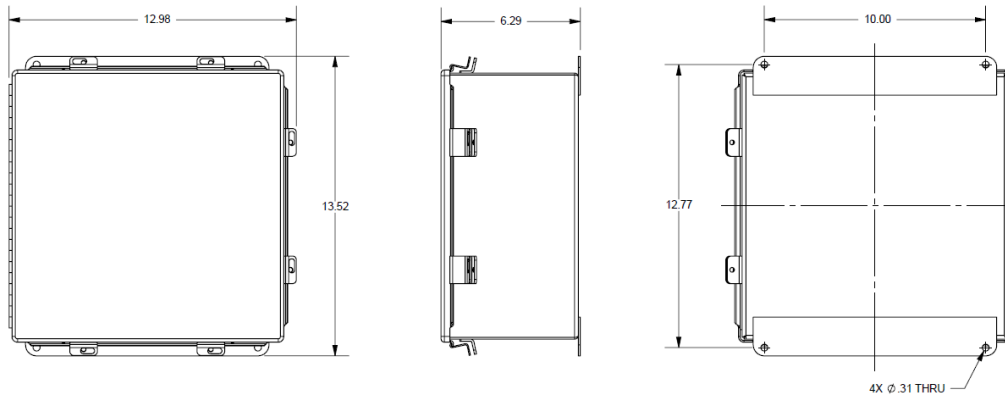




D200M Series

200kA Modular Type 1 Surge Protective Device

Part Number	Voltage	Service	MCOV	I _n Rating	Voltage Protection Rating (VPR)			
					L-L	L-N	L-G	N-G
D200M-120/2401	120/240Vac	Split Φ (3w + G)	150V/276V	20kA	1200V	800V	800V	700V
D200M-120/2083Y	120/208Vac	Three Φ Wye (4w + G)	150V/239V	20kA	1200V	800V	800V	700V
D200M-2403D	240Vac	Three Φ Delta (4w + G)	320V/320V	20kA	2000V	N/A	1200V	N/A
D200M-277/4803Y	277/480Vac	Three Φ Wye (4w + G)	320V/552V	20kA	2000V	1500V	1200V	700V
D200M-4803D	480Vac	Three Φ Delta (3w + G)	552V/552V	20kA	4000V	N/A	1800V	N/A



MECHANICAL SPECIFICATIONS	
Connection Method:	Mechanical lugs 8 AWG – 2 AWG
Housing:	NEMA Type 4 steel
Operating Temperature:	-31°F – 185°F (-35°C – 85°C)
Maximum Humidity:	95% non-condensing
Dimensions:	13.52 in. L x 12.98 in. W x 6.29 in. H (343 mm x 330 mm x 160 mm)
Weight:	24 lbs. (10.9kg)

SAFETY STANDARDS AND CERTIFICATIONS	
Certifications:	UL 1449 5 th Edition Type 1 SPD
Standards Compliance:	RoHS
Warranty:	10 Year Limited Warranty

DITEK Surge Protection, Largo, FL 33771 • Sales: 800-753-2345
Diteksurgeprotection.com • SPS-100099-001 Rev 9 05/26

