



DITEK Corporation
ONE DITEK CENTER
1720 Starkey Road
Largo, FL 33771

INSTALL INSTRUCTIONS

DTK-110RJC6A, DTK-110RJC6APOE

This Surge Protective Device (SPD) is a high performance device, designed to provide protection for sensitive electronic loads when the SPD is directly connected to the electronic device. Maximum protection will only be achieved if the SPD is properly installed. Please read and follow the installation instructions carefully.

NOTICE: This SPD should be installed and grounded, by a licensed contractor, per the applicable requirements of the NEC. These devices are only to be employed on the communication loop circuits which have been isolated from the Public Switched Telephone Network.

APPLICATION

Surge suppression for IP, or PoE circuits transmitting video and/or data over CAT6 or CAT6A cable. The DITEK is wired in series and terminating with a 110 punch down to RJ45 Plug. This device is intended for indoor use or intended for outdoor use within an enclosure which has been evaluated for the application..

INSTRUCTIONS:

Caution: Measure all voltages to insure applied voltage does not exceed the voltage rating of the unit. Improper installation voids the warranty.
This unit must be connected in series with the equipment to be protected.

DISCONNECT CIRCUIT BEFORE BEGINNING INSTALL.

1. Connect the incoming (field) wires to the IDC (110) punch down block using the proper punch down tool designed for IDC connectors. Using any other tool will damage the IDC connector and void warranty.
2. Follow the wire color codes printed on the circuit board next to the IDC connectors for wire termination points.

T568A Wiring- BL-BL/W, BR-BR/W, OR/W-OR, GR-GR/W

T568B Wiring- BL-BL/W, BR-BR/W, GR/W-GR, OR-OR/W

This connector is rated for 26-22AWG solid conductor wire.

The wire pairs must be twisted together and maintain that twist all the way to the punch down block.

3. If using STP (Shielded Twisted Pair) the shield must be connected to the "Shield GND" termination screw located on the circuit board near the IDC connector. This can be accomplished by twisting the shield into a wire and wrapping it under the screw.

NOTE: Do not exceed 2 inch/pounds +0/-1 of torque.

4. Using the velcro loops provided, secure the CAT6/CAT6A cabling to the circuit board.
5. Using a CAT6 or CAT6A rated patch cord with a properly tipped RJ45 connector, plug one end into the DITEK and the other end into the equipment to be protected.
6. Always have one common ground per system to eliminate the possibility of a differential in ground potentials. The ground conductor should be a minimum #14 AWG wire. This wire should be as short as possible. This wire shall be mechanically secured to the "Ground" termination screw located on the circuit board near the IDC connector.

Ground Resistance Rule: Max ground resistance is 25 Ohms, 5 Ohms or less is optimum.

This cannot be an assumed value and must be measured to assure proper grounding.

7. After all connections have been made and no hazards exist, restore the circuit.

INSTALLATION

DITEK Technical Support Available 24/7

1-888-472-6100

www.ditekcorp.com

Drawn By: B. Aycock 6-6-16
Revised By: R. Mitchell 4-27-17

Doc # INT-100148-001
Part No. 191573 Rev. 5



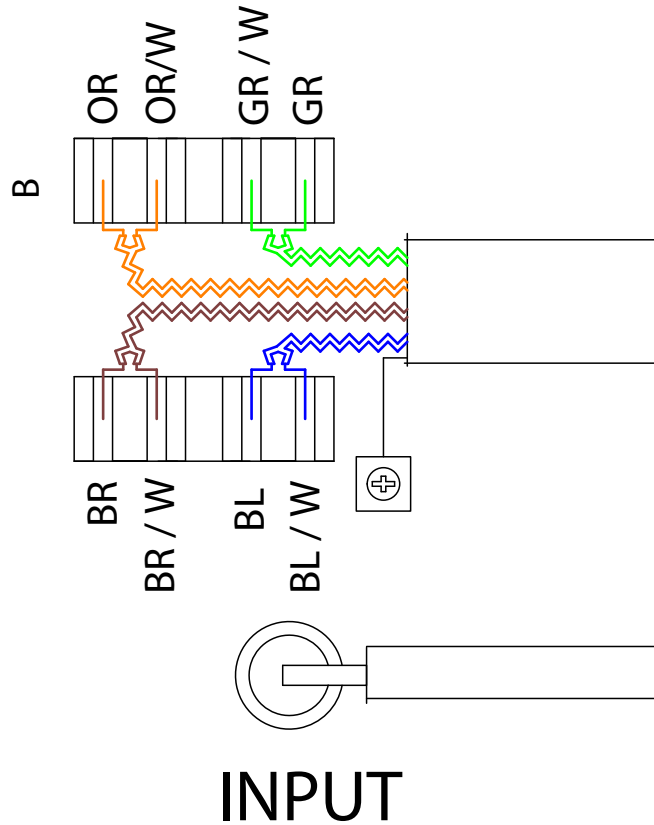
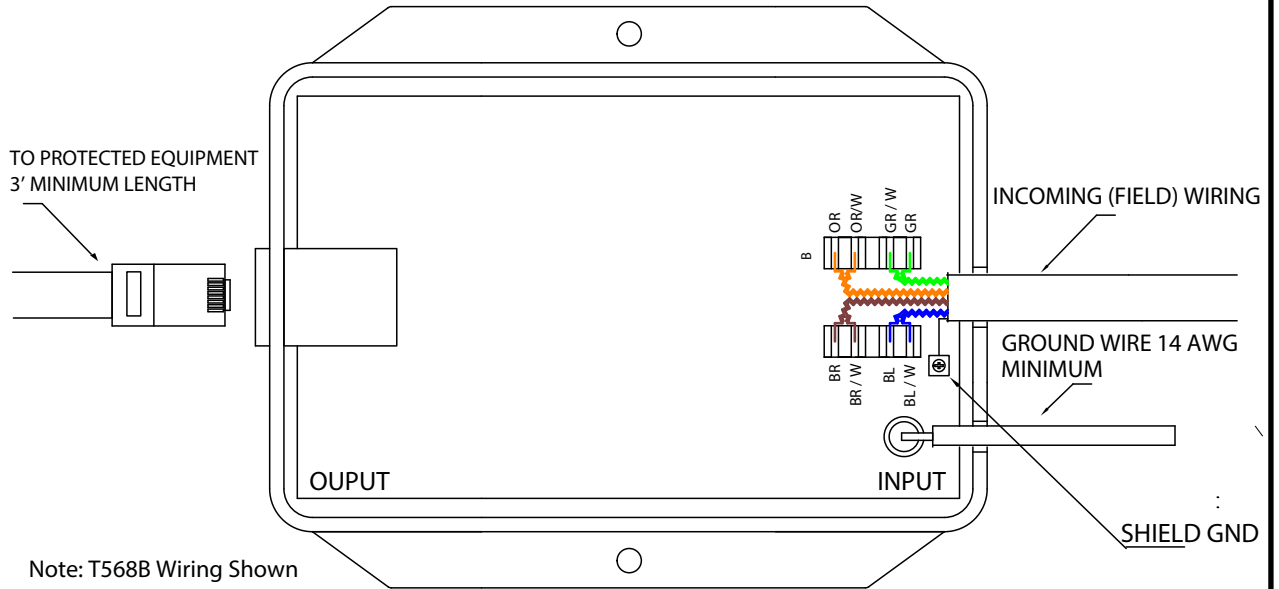
DITEK Corporation
ONE DITEK CENTER
1720 Starkey Road
Largo, FL 33771

INSTALL INSTRUCTIONS

DTK-110RJC6A, DTK-110RJC6APOE

Illustrations Page

DTK-110RJC6A / DTK-110RJC6APOE



INSTALLATION