

# INSTALL INSTRUCTIONS

## DTK-120/240HD



DITEK Corporation  
ONE DITEK CENTER  
1720 Starkey Road  
Largo, FL 33771

**NOTICE:** This SPD should be installed by a licensed contractor in accordance with all applicable National and Local Electrical Codes and the following instructions.

### APPLICATION

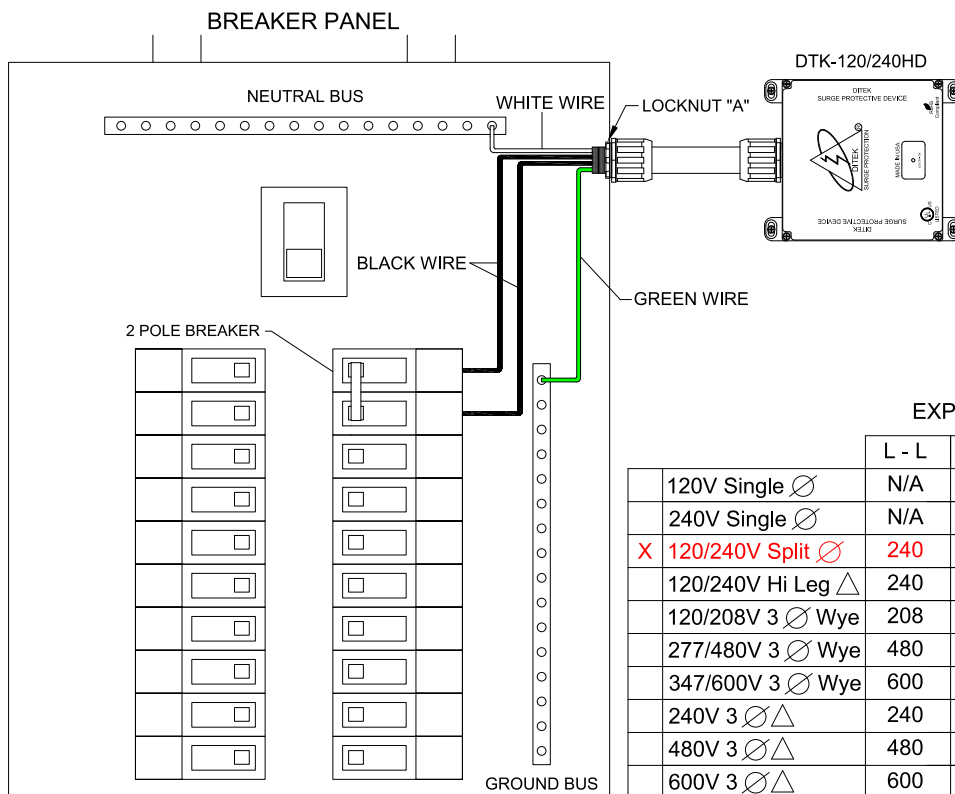
Type 1 SPD for hardwired installation on a 120/240 VAC split phase electrical service.

### INSTRUCTIONS:

**Caution:** Measure all voltages to verify applied voltage does not exceed the voltage rating of the unit. Reference the Expected System Voltages chart below. Improper installation voids the warranty.

**NOTE:** Suitable for use on a circuit capable of delivering not more than 100,000 rms symmetrical Amperes. Recommended circuit breaker size is 20 Amps. This SPD contains no serviceable parts.

1. Turn off the power at the main breaker or service disconnect before beginning installation.
2. Remove front cover from the electrical panel.
3. Determine the ideal mounting position of the SPD by orienting the unit as close as possible to the position of the circuit breaker selected for the SPD connection.
4. Remove a 1/2" knockout in the electrical panel or drill a 1/2" NPT hole in the electrical panel.
5. See the Illustrations Page on the back side of this document for instructions on assembling the included liquid-tight conduit and connector. The conduit length can be cut down shorter if desired.
6. Remove "Locknut A" from the conduit connector.
7. Feed all wires, conduit and 1/2" NPT connector through the knockout hole in the panel, and finally tighten "Locknut A" on the conduit connector.
8. Connect the Ground wire (Green) to the Ground bus of the panel.
9. Connect the Neutral wire (White) to the Neutral bus of the panel.
10. Connect the (2) Phase wires (Black) to the load side of the 2-pole circuit breaker.
11. Securely mount the enclosure with appropriate anchors by using the mounting feet located at each corner.
12. After all connections have been made and no hazards exist, replace panel cover and restore power.



EXPECTED SYSTEM VOLTAGES

	L - L	HiL- G,N	L - G	L - N	N - G
120V Single $\emptyset$	N/A	N/A	120	120	0
240V Single $\emptyset$	N/A	N/A	240	240	0
<b>X</b> 120/240V Split $\emptyset$	<b>240</b>	<b>N/A</b>	<b>120</b>	<b>120</b>	<b>0</b>
120/240V Hi Leg $\Delta$	240	240	120	120	0
120/208V 3 $\emptyset$ Wye	208	N/A	120	120	0
277/480V 3 $\emptyset$ Wye	480	N/A	277	277	0
347/600V 3 $\emptyset$ Wye	600	N/A	347	347	0
240V 3 $\emptyset$ $\Delta$	240	N/A	240Max	N/A	0
480V 3 $\emptyset$ $\Delta$	480	N/A	480Max	N/A	0
600V 3 $\emptyset$ $\Delta$	600	N/A	600Max	N/A	0

INSTALLATION



DITEK Corporation  
ONE DITEK CENTER  
1720 Starkey Road  
Largo, FL 33771

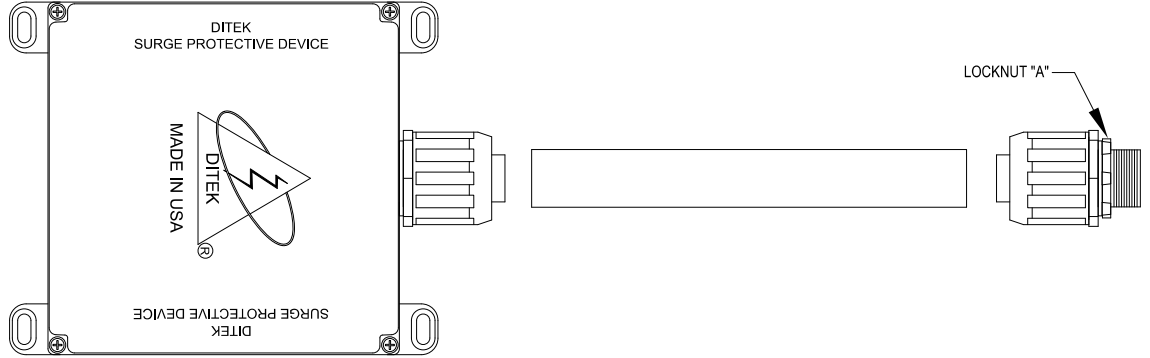
# INSTALL INSTRUCTIONS

DTK-120/240HD

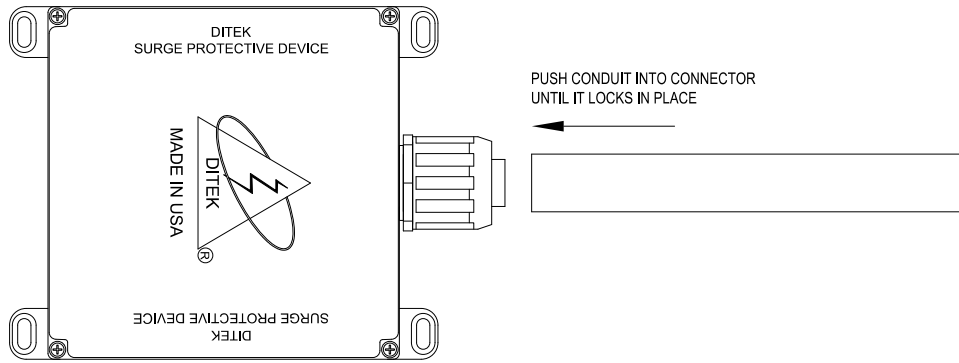
## Illustrations Page

# INSTALLATION

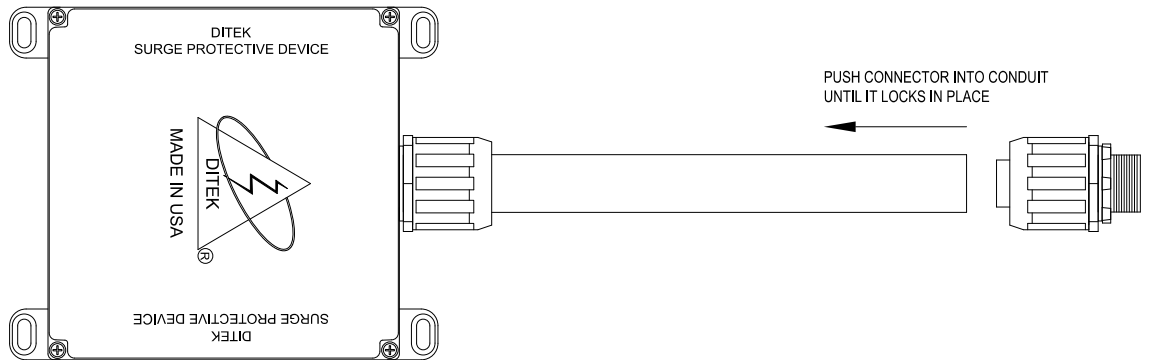
STEP 1



STEP 2



STEP 3



STEP 4

