



DTK-120SLR

50kA Surge Protective Device



DITEK's DTK-120SLR protects dedicated 120Vac power circuits that feed control panels and other critical equipment. The series-wired design provides maximum critical load protection, and disconnects power to the connected equipment if compromised. EMI/RFI filtering ensures clean power for connected equipment.

PRODUCT FEATURES

- Series-wired design for fast response and superior level of protection
- Disconnects power to connected equipment if compromised
- Diagnostic LEDs provide positive indication of system power and SPD function
- UL 1449 Listed Type 2 SPD
- UL 1283 EMI/RFI filtering

APPLICATIONS

- Fire Alarm Control Panels
- Gate Operators
- Industrial Control Panels

ACCESSORIES

- DIN rail mount kit P/N DTK-DRK

TECHNICAL SPECIFICATIONS	
Service Voltage:	120Vac Single Φ
MCOV:	150V
Max. Continuous Current:	20 amps
Surge Current Rating:	50,000A
Nominal Discharge Current Rating (I_n):	10kA
Short Circuit Current Rating (SCCR):	10,000A
Voltage Protection Rating (VPR):	600V Line-Ground 1200V Neutral-Ground 600V Line-Neutral
EMI/RFI Filtering Attenuation:	Up to -35dB, 100kHz – 100MHz
Operating Frequency:	50/60Hz
Status Indication:	LED

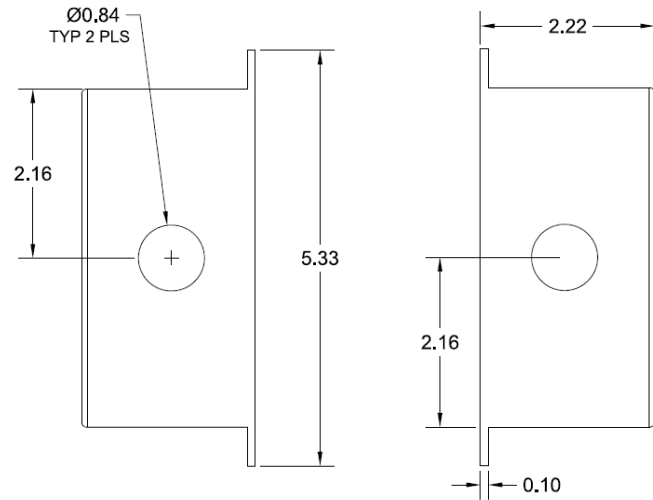
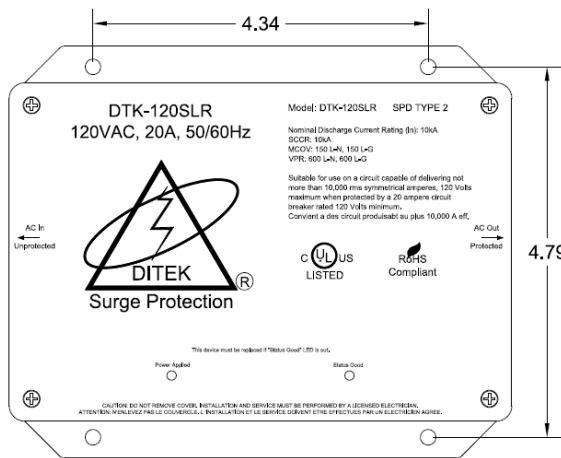
DITEK Surge Protection, Largo, FL 33771 • Sales: 800-753-2345
Diteksurgeprotection.com • SPS-100007-008 Rev 2 05/26





DTK-120SLR

50kA Surge Protective Device



MECHANICAL SPECIFICATIONS	
Connection Method:	Mechanical lugs, 12AWG max ½" NPT pre-drilled conduit holes in/out
Housing:	ABS
Operating Temperature:	32°F – 104°F (0°C – 40°C)
Maximum Humidity:	95% non-condensing
Dimensions:	6.5 in. L x 5.33 in. W x 2.22 in. H (165 mm x 135 mm x 56 mm)
Weight:	15.2 oz. (431g)

SAFETY STANDARDS AND CERTIFICATIONS	
Certifications:	UL 1449 5 th Edition Type 2 SPD UL 1283 CSA C22.2 No. 269.2-17, 2017-02 Type 2 SPD
Standards Compliance:	RoHS
Warranty:	10 Year Limited Warranty

