



## DTK-4LVLP CR, DTK-3LVLPX Card Reader Surge Protectors

DITEK's DTK-4LVLP CR and DTK-3LVLPX are designed to protect various types of card readers. The 4LVLP CR protects power, data and LED circuits in one compact package; the 3LVLPX is designed to protect Wiegand and Wiegand-type 12 Volt, three-pair card reader systems.



DTK-4LVLP CR

### Product Features

- Series connection, parallel function adds no resistance to loop circuits
- Protect 3 or 4 pairs of power/data connections
- Protect power, data and LED Lines (4LVLP CR)
- Single ground point for all protected circuits

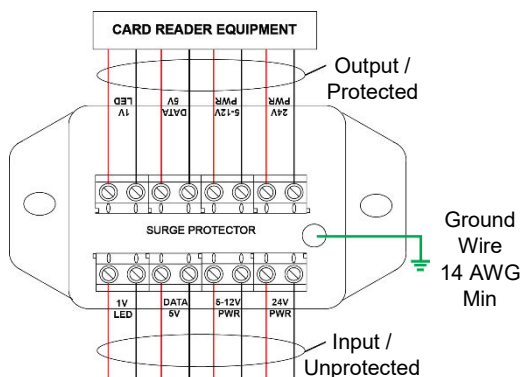
### Selection Guide

- DTK-4LVLP CR: Card Reader Protection (12V Power or 24V Power, Data, LED)
- DTK-3LVLPX: Wiegand-Type Card Reader Protection (3 pairs, 12-14V)

### Accessories

- DIN Rail Mounting Kit, p/n DTK-DRK

### DTK-4LVLP CR Wiring Diagram



### Technical Specifications

Part Number:	DTK-4LVLP CR	DTK-3LVLPX
Service Voltage Power:	12V/24V	12V
Service Voltage Data:	<5V	12V
Service Voltage LED:	<5V	N/A
MCOV Power:	18V/38V	18V
MCOV Data:	6.8V	18V
MCOV LED:	8V	N/A
Clamping Voltage Power:	24V/47V	22V
Clamping Voltage Data:	7.2V	22V
Clamping Voltage LED:	12V	N/A
Protection Modes:	Common Mode (L-G)	
Surge Current Rating:	(Power) 2,000A (Data/LED) 500A	2,000A
Max. Continuous Current:	(Power) 5A (Data/LED) 150mA	5A

### Mechanical Specifications

Connection Method:	Hardwired terminals: 22-16 AWG
Housing:	ABS
Operating Temperature:	-40°F - 158°F (-40°C - 70°C)
Maximum Humidity:	95% non-condensing
Dimensions:	3.0" L x 1.6" W x 1.6" H (76 mm x 41 mm x 41 mm)
Weight:	4 oz (113 g)

### Quality Standards & Approvals

Certifications:	N/A	UL497B
Warranty:	10 Year Limited Warranty	

