



# DTK-CAT6A Series

Category 6A Surge Protectors

DITEK's **DTK-CAT6A Series** surge protectors are specifically designed for the demanding requirements of today's network infrastructure. Available with either 110-to-110 punch-down or 110-to-RJ connections, they provide maximum protection for IP and PoE circuits transmitting over CAT5e, CAT6 or CAT6A cabling. DITEK's CAT6A products are suitable for use on all network connected equipment.



## PRODUCT FEATURES

- UL 497 listed primary protector for communications circuits
- Available in 110 punch-down in/out or 110 in / shielded RJ45 female out
- Supports Ethernet speeds up to 10GbE without signal degradation
- Automatically resets to protect against multiple surges

## APPLICATIONS

- PoE IP Cameras
- Wireless Access Points
- Ethernet Switches

## ACCESSORIES

- DIN Rail Mounting Kit, P/N DTK-DRK

TECHNICAL SPECIFICATIONS		
Part Numbers:	DTK-110C6A DTK-110RJ6A	DTK-110C6APOE DTK-110RJ6APOE
Service Voltage:	<12Vdc	48Vdc
MCOV:	18Vdc	64Vdc
Clamping Voltage:	22Vdc	72Vdc
Surge Current Rating:	100A / pair	30A / pair
Power Handling:	19.2 watts	76.8 watts
Protection Modes:	Common (Line-Ground)	
Data Rate:	10 Gbps	

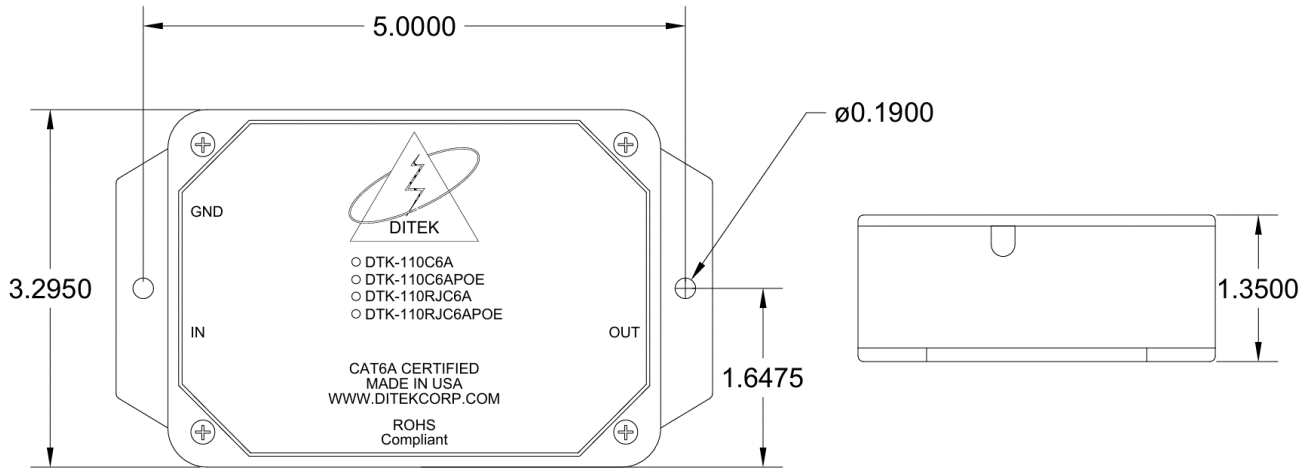
DITEK Surge Protection, Largo, FL 33771 • Sales: 800-753-2345  
Diteksurgeprotection.com • SPS-100077-001 Rev 10 05/26





# DTK-CAT6A Series

Category 6A Surge Protectors



## MECHANICAL SPECIFICATIONS

Connection Method:	110C6A/110C6APOE 110 punch-down in/out 110RJC6A/110RJC6APOE 110 in / RJ45 out
Housing:	ABS
Operating Temperature:	-40°F – 158°F (-40°C – 70°C)
Maximum Humidity:	95% non-condensing
Dimensions:	5.5 in. L X 3.3 in. W x 1.3 in. H (137 mm x 84 mm x 33 mm)
Weight:	4.8 oz (136g)

## SAFETY STANDARDS AND CERTIFICATIONS

Certifications:	UL 497 UL 497B
Standards Compliance:	ANSI/TIA-568, RoHS
Warranty:	10 Year Limited Warranty

DITEK Surge Protection, Largo, FL 33771 • Sales: 800-753-2345  
Diteksurgeprotection.com • SPS-100077-001 Rev 10 05/26

