



INSTALL INSTRUCTIONS

DTK-CMXPLUS Series

This Surge Protective Device (SPD) is a high performance device, designed to provide protection for sensitive electronic loads connected to service panels, fire panels, or where the SPD is directly connected to the electronic device. Maximum protection will only be achieved if the SPD is properly installed. Please read and follow the installation instructions carefully.

NOTICE: This SPD should be installed and grounded, by a licensed contractor, per the applicable requirements of the NEC and the following instructions.

APPLICATION: Type 1 and Type 2 SPD for hardwired parallel installations on 3-Phase Delta circuits.

Expected system voltages:

DTK-2403CMXPLUS L1-G = 240VAC, L2-G = 240VAC, L3-G = 240VAC

DTK-4803CMXPLUS L1-G = 480VAC, L2-G = 480VAC, L3-G = 480VAC

DTK-6003CMXPLUS L1-G = 600VAC, L2-G = 600VAC, L3-G = 600VAC

INSTRUCTIONS:

Caution: Measure all voltages to insure applied voltage does not exceed the voltage rating of the unit. Improper installation voids the warranty. This unit must be connected in parallel with the equipment to be connected.

Warning: No Serviceable Parts-**Attention:** Aucune pièce remplaçable ou réparable

For Use Only With A Flexible Conduit System Or Direct Connection To Panel

NOTE: Suitable for use on a circuit capable of delivering not more than 10,000 rms symmetrical Amperes, when protected by a 20 Ampere circuit breaker rated: DTK-2403CMXPLUS=240 Volts min. DTK-4803CMXPLUS=480 Volts min., DTK-6003CMXPLUS=600 Volts min.

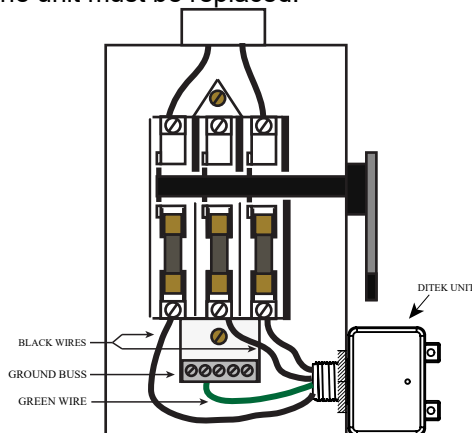
1. Turn off main power before beginning the installation.
2. Remove the front cover from panel.
3. Remove the 3/4" knockout on the side of the panel box.
4. Unscrew nut from unit, keep gasket in place.
5. Feed all wires through the knockout hole then through nut. Tighten the nut to secure the unit to the panel, make sure gasket compresses between panel and DTK unit.
6. Connect the green (Ground) wire to the ground bus.
7. Always have one common ground per system to eliminate the possibility of a differential in ground potentials.

Ground Resistance Rule: Max ground resistance is 25 ohms, 5 ohms or less is optimum.

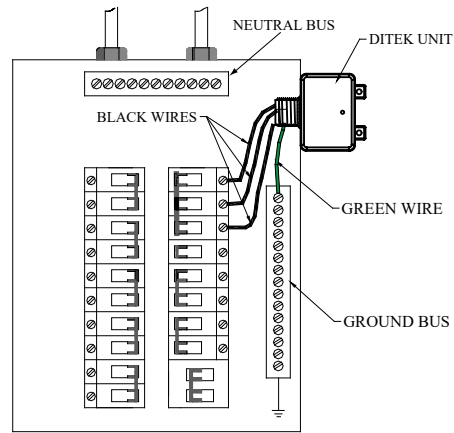
This cannot be an assumed value and must be measured to assure proper grounding.

8. Connect the phase (Black) wires to the load side of 3-pole circuit breaker or disconnect, making sure the leads are as short as possible (Ground being the shortest).
9. After all connections have been made and no hazards exist, restore power.
10. This device features an internal protection that will disconnect the surge protective component but will maintain power to the load - now unprotected. If this situation is undesirable for the application, follow the manufacturer's instructions for replacing the device.

NOTE: The LED on the unit must be on, if the LED is off then surge protection is compromised and the unit must be replaced.



SERVICE DISCONNECT PANEL



BREAKER PANEL