



DTK-DF120S12

12 Circuit Surge Protective Device

DITEK's Deflector Series DTK-DF120S12 sets a new standard for multi-circuit 120Vac power surge protection. Its patented design provides maximum critical load protection by minimizing AC supply voltage spikes and isolating incoming surges that originate from lightning or other sources. Each DF Series module features an LED health status indicator that flashes and sounds an audible alarm when protection has been compromised, and the device's wall-mount enclosure includes dry contacts for remote notification when service is required.



PRODUCT FEATURES

- Protects up to twelve (12) 120Vac single phase critical loads
- Rapid-Replacement modules for ease of installation
- Audible alarm sounds when protection is compromised or module is removed
- Form C dry contacts for remote notification when service is required
- Separate LED indicators for system power, ground presence and protection status

APPLICATIONS

- Electronic Fueling Equipment
- POS Devices
- Home Automation Systems

ACCESORIES

- 120vac replacement module P/N DTK-DF120M

TECHNICAL SPECIFICATIONS

Service Voltage:	120Vac Single Φ
MCOV:	150V
Max. Continuous Current:	20 amps
Surge Current Rating:	50,000A
Nominal Discharge Current Rating (I_n):	10kA
Short Circuit Current Rating (SCCR):	10,000A
Voltage Protection Rating (VPR):	700V Line-Ground 1200V Neutral-Ground 700V Line-Neutral
EMI/RFI Filtering Attenuation:	Up to -35dB, 100kHz – 100MHz
Status Indication:	LEDs, Audible alarm (80dB @ 1ft) Form C dry contacts

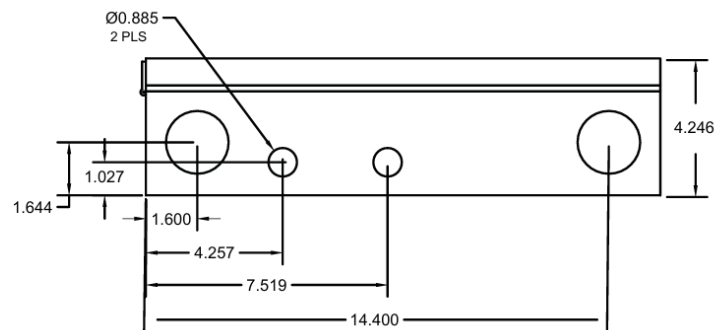
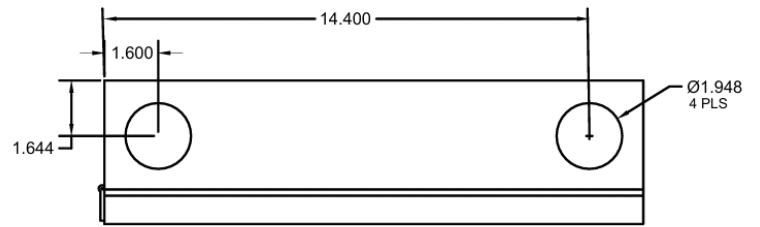
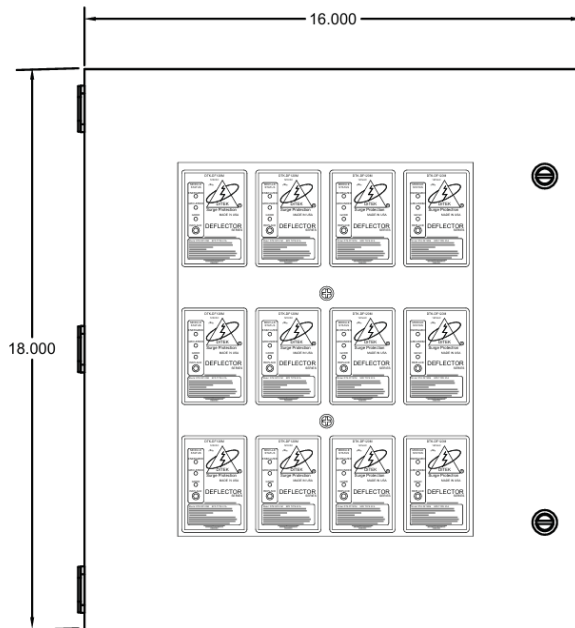
DITEK Surge Protection, Largo, FL 33771 • Sales: 800-753-2345
Diteksurgeprotection.com • SPS-100095-003 Rev 3 05/26





DTK-DF120S12

12 Circuit Surge Protective Device



MECHANICAL SPECIFICATIONS

Connection Method:	Mechanical lugs 12AWG Up to (12) circuits wired in series
Housing:	NEMA 12 steel
Operating Temperature:	-13°F – 140°F (-25°C – 60°C)
Maximum Humidity:	95% non-condensing
Dimensions:	18 in. L x 16 in. W x 4.25 in. H (457 mm x 406 mm x 108 mm)
Weight:	25.05 lbs. (11.36kg)

SAFETY STANDARDS AND CERTIFICATIONS

Certifications:	UL 1449 4th Edition Type 2 SPD UL 1283 CSA C22.2 No. 269.2-17, 2017-02 Type 2 SPD
Standards Compliance:	RoHS
Warranty:	10 Year Limited Warranty

DITEK Surge Protection, Largo, FL 33771 • Sales: 800-753-2345
Diteksurgeprotection.com • SPS-100095-003 Rev 3 05/26

