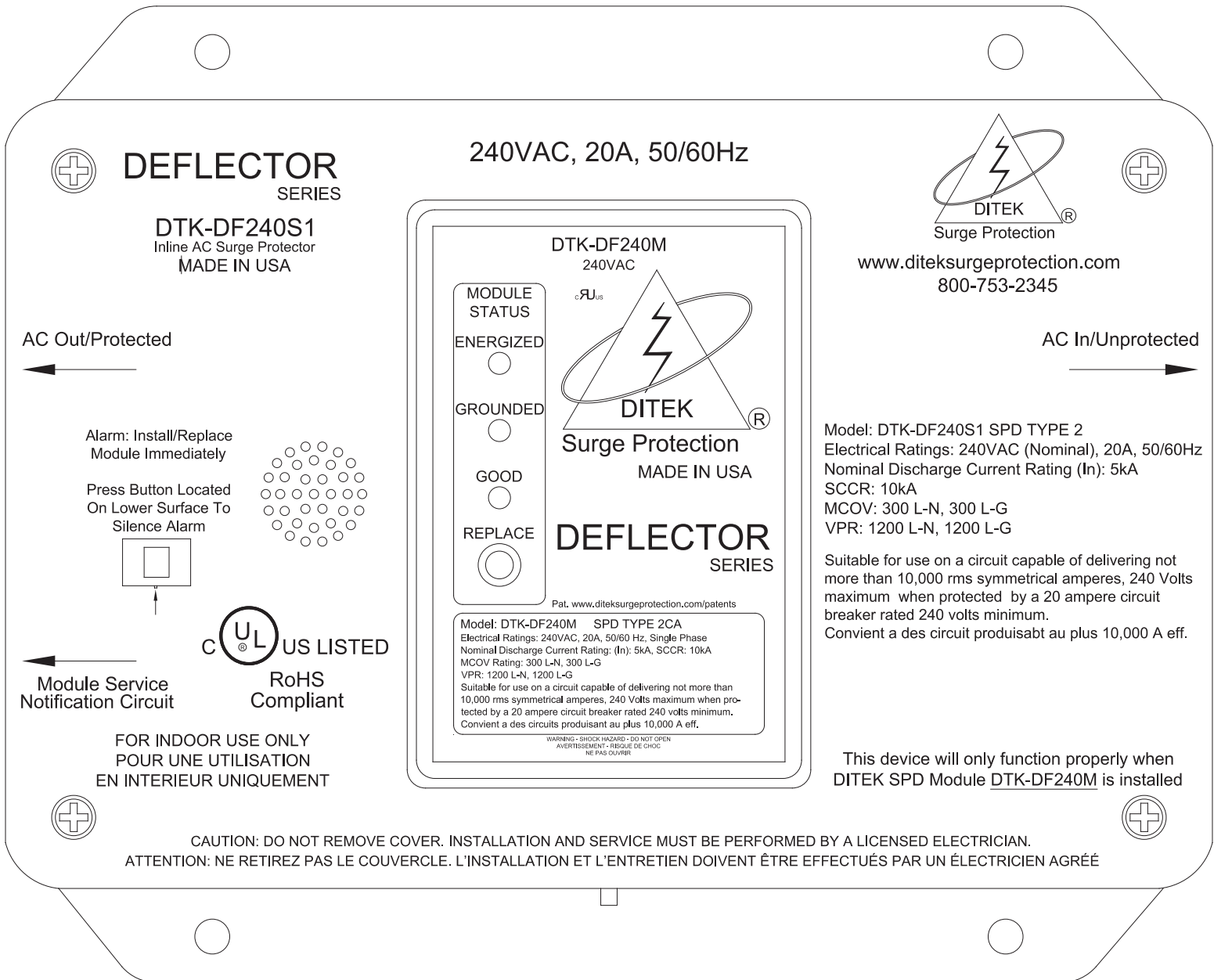




DTK-DF240S1

User Guide



Model: DTK-DF240S1 SPD TYPE 2
 Electrical Ratings: 240VAC (Nominal), 20A, 50/60Hz
 Nominal Discharge Current Rating (In): 5kA
 SCCR: 10kA
 MCOV: 300 L-N, 300 L-G
 VPR: 1200 L-N, 1200 L-G

Suitable for use on a circuit capable of delivering not more than 10,000 rms symmetrical amperes, 240 Volts maximum when protected by a 20 ampere circuit breaker rated 240 volts minimum.
 Convient a des circuit produisant au plus 10,000 A eff.

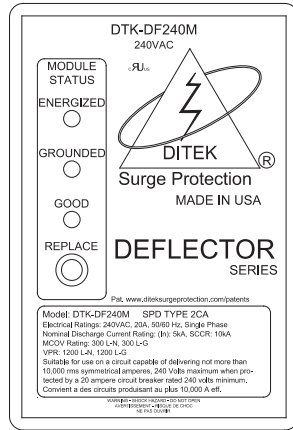
This device will only function properly when DITEK SPD Module **DTK-DF240M** is installed

DITEK CORPORATION

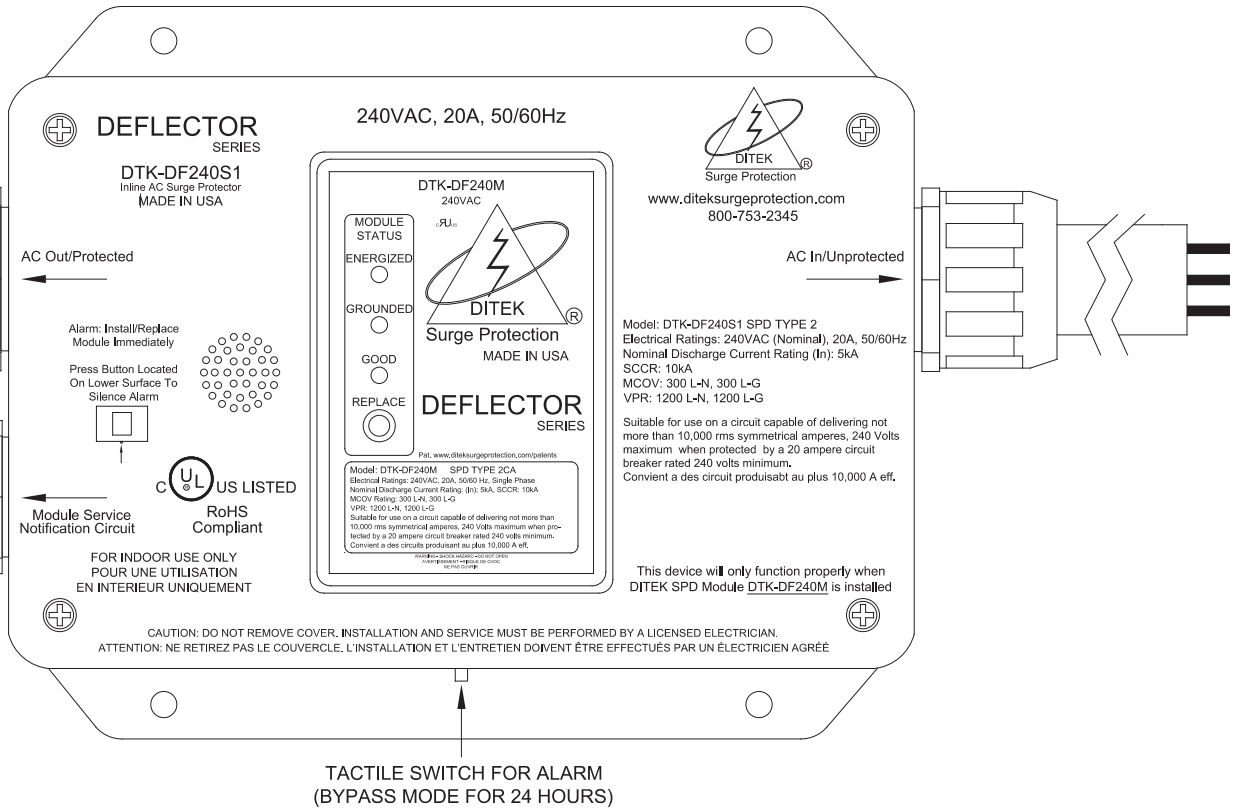
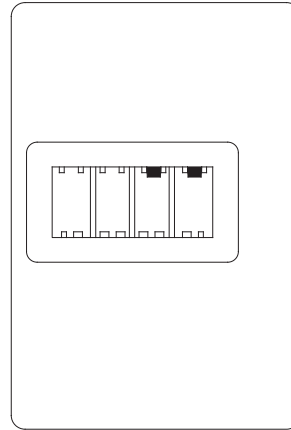
One DITEK Center 1720 Starkey Road Largo, Fl 33771
 1-800-753-2345 www.diteksurgeprotection.com

DTK-DF240M (Surge Module)

FRONT



BACK



The DTK-DF240S1 is a series connected Surge Protective Device with a replaceable surge module. The LED indicators on the top face of the DTK-DF240M provide power, ground and surge module health status. When the DTK-DF240M surge module has gone end of life, the large “REPLACE” RED LED will illuminate and the “GOOD” LED will turn off. Also, the audible alarm will sound to provide an extra alert as to the surge module’s health. To silence the alarm, remove the dead module and replace it with a new, unused module. If a new module is not available, the alarm can be silenced by pressing the tactile switch, located at the bottom of the enclosure, into BYPASS mode for 24 hours. The red polarizing keys ensure that the correct voltage module will mate with its corresponding base.

CAUTION: By removing the cover, you will be exposed to live metal parts and there is a risk of electrocution.

WARNING: Removing the cover should only be performed by a licensed electrician.

WARNING: When the DTK-DF240M module has gone end of life, or is missing, the base is susceptible to damage from surge energy. Make sure you always have a spare module available. No substitutions shall be permitted.

DTK-DF240S1 (240V 20A Series Surge Protective Device)

CAUTION: Risk of Electric Shock-Only intended for installation in accordance with National Electric Code, ANSI/NFPA-70, Article 398.

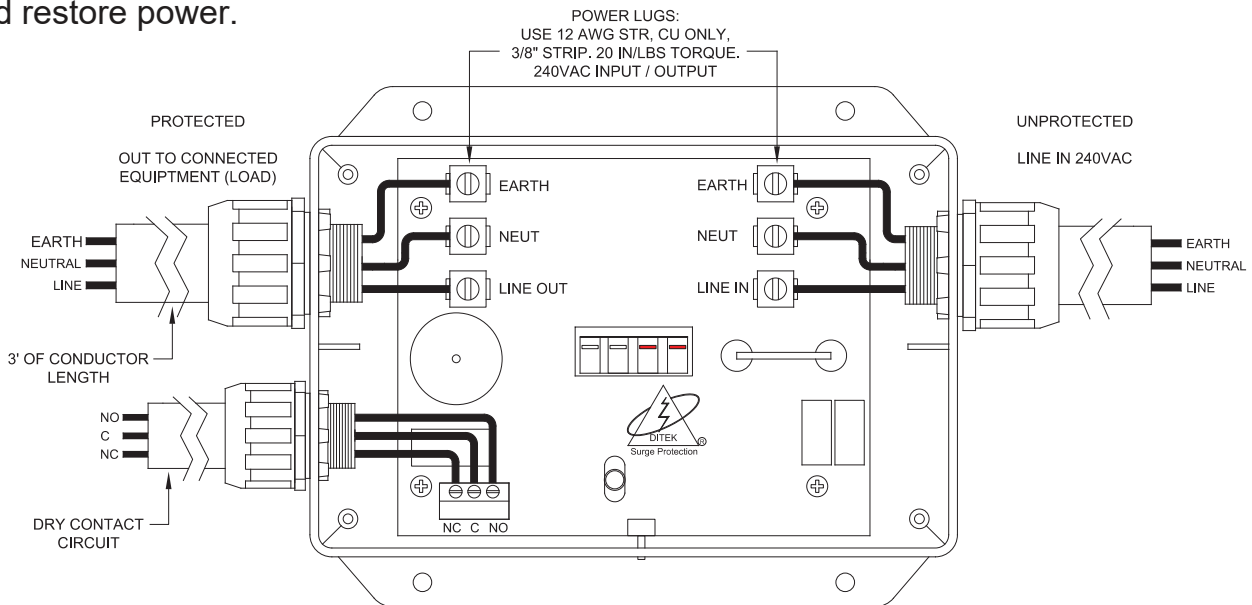
Warning: Turn power off at the main circuit breaker panel before beginning install.

Note: Connect this device in series between the 240VAC power supply and the alarm panel, or branch panel 240VAC inputs. Use 12 AWG Stranded, Cut only conductors with a 3/8" strip length when terminating the wires at the power lugs. The conductors used to connect the SPD, to the line or bus and to ground, shall not be any longer than necessary and shall avoid unnecessary bends.

1. Remove cover and save screws.
2. Connect the Ground (green or bare) to the EARTH terminal.
3. Connect the Neutral (white) supply wire to the NEUTRAL terminal on LINE-IN side.
4. Connect the Phase (black) supply wire to the LINE terminal on LINE-IN side.
5. Connect the Ground, Neutral and Phase wires from the LOAD-OUT side to the alarm panel, or branch panel AC inputs.

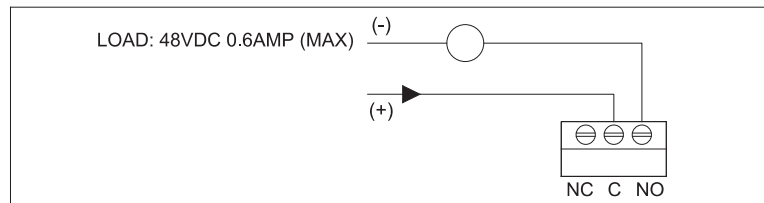
Note: Tightening torque for the 240VAC power connections is 20 in. lbs.

6. Use appropriately sized conduit fittings and conduit to protect wiring, replace cover.
7. After all connections have been made and no hazards exist, insert DTK-DF240M surge module and restore power.

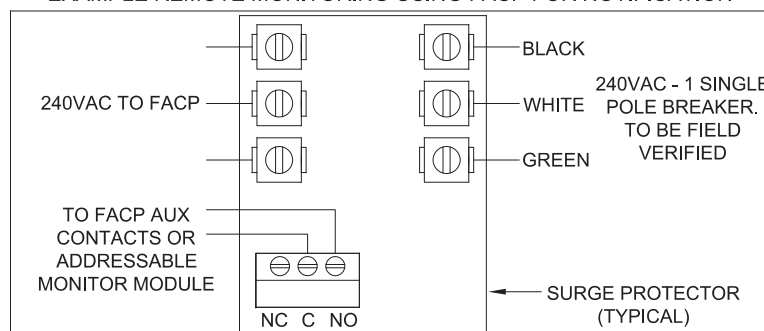


DRY CONTACT CIRCUIT INFORMATION

EXAMPLE MONITORING CIRCUIT

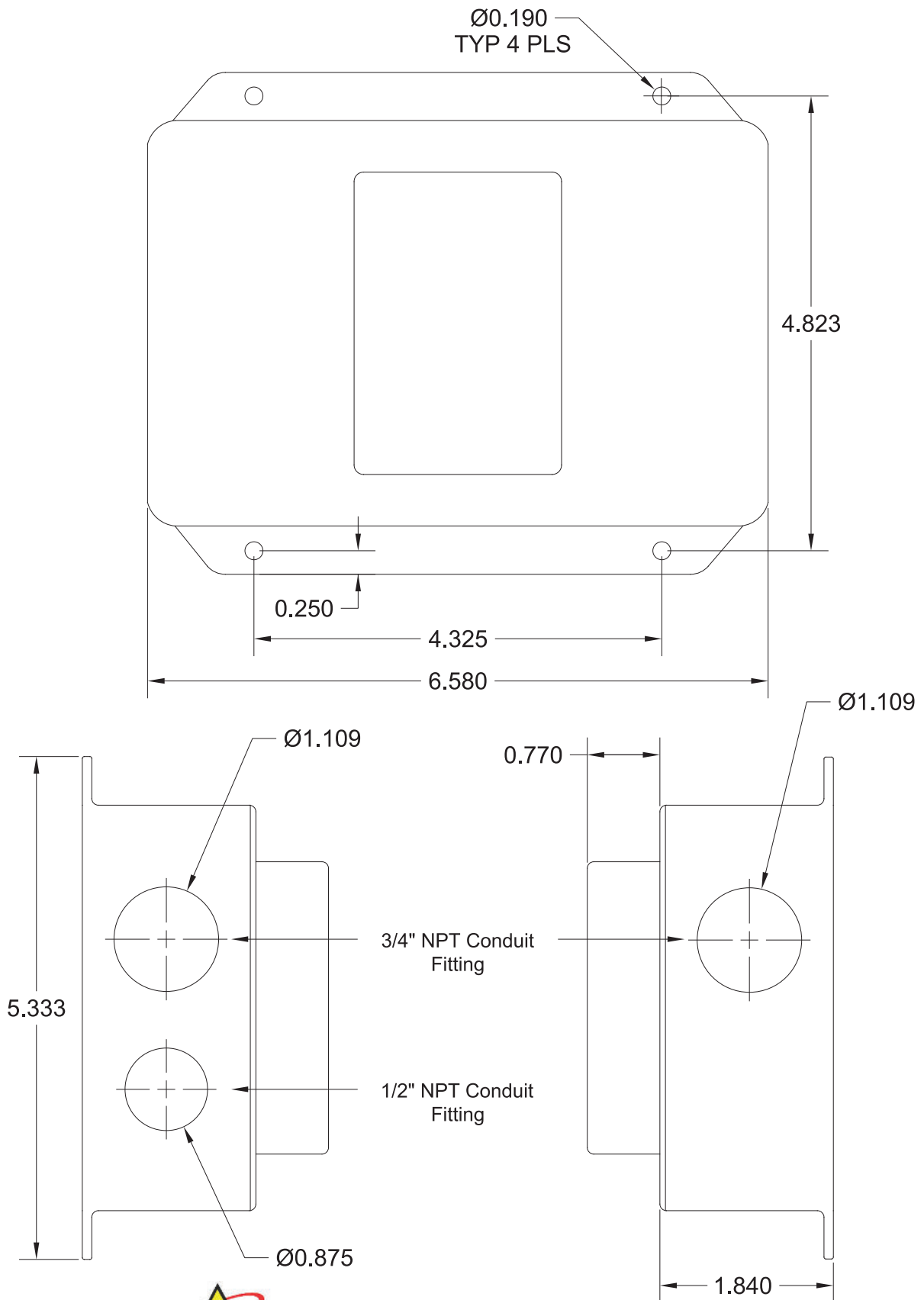


EXAMPLE REMOTE MONITORING USING FACP FOR NOTIFICATION



DTK-DF240S1
(Mounting Dimensions)

Use appropriately sized conduit fittings and conduit. (Not Included)



191604 INT-100173-001 Rev 1

DITEK CORPORATION

One DITEK Center 1720 Starkey Road Largo, FL 33771
1-800-753-2345 www.diteksurgeprotection.com