



DTK-DF240S1

240Vac Surge Protective Device

DITEK's Deflector Series DTK-DF240S1 sets a new standard for 240Vac power surge protection. Its patented design provides maximum critical load protection by minimizing AC supply voltage spikes and isolating incoming surges that originate from lightning or other sources. Each DF Series module features an LED health status indicator that flashes and sounds an audible alarm when protection has been compromised, and the wall-mount enclosure includes dry contacts for remote notification when service is required.



PRODUCT FEATURES

- Rapid-replacement protection module for ease of installation
- LEDs, audible alarm and Form C dry contacts for remote notification
- Audible alarm can be silenced via the included time delay switch (24 hours)
- UL 1449 Listed Type 2 SPD
- UL 1283 EMI/RFI filtering

APPLICATIONS

- Fire Alarm Control Panels
- Electronic Fueling Equipment
- Industrial Control Panels

ACCESSORIES

- Replacement module P/N DTK-DF240M

TECHNICAL SPECIFICATIONS	
Service Voltage:	240Vac Single Φ
MCOV:	300V
Max. Continuous Current:	20 amps
Surge Current Rating:	50,000A
Nominal Discharge Current Rating (I_n):	5kA
Short Circuit Current Rating (SCCR):	10,000A
Voltage Protection Rating (VPR):	1200V Line-Ground 1200V Neutral-Ground 1200V Line-Neutral
EMI/RFI Filtering Attenuation:	Up to -35dB, 100kHz – 100MHz
Operating Frequency:	50/60Hz
Status Indication:	LEDs, Audible alarm with disable (80dB @ 1ft) Form C dry contacts

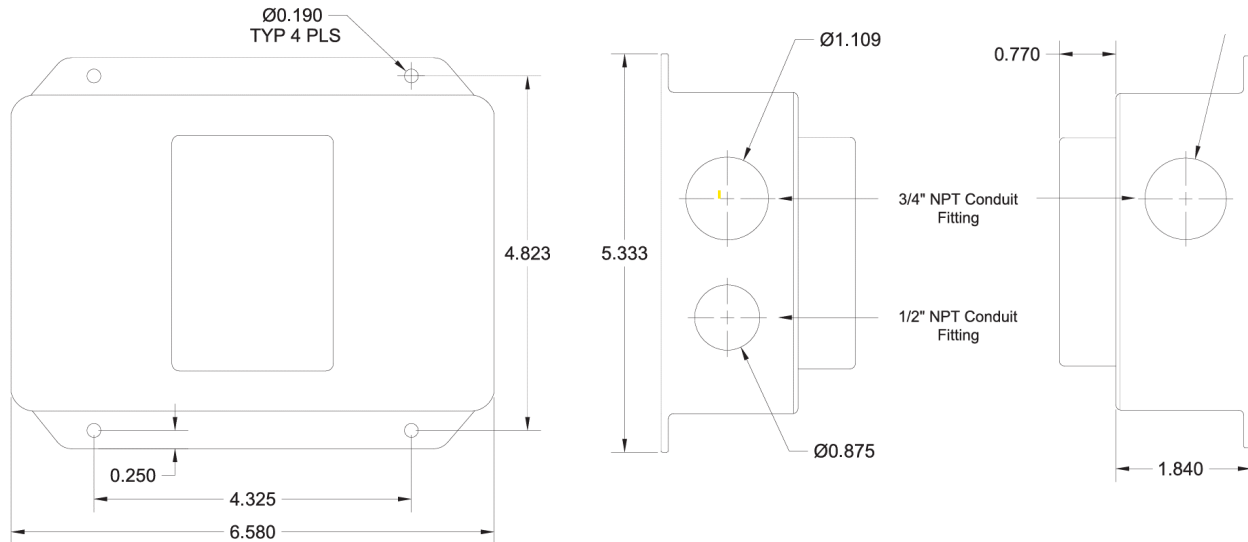
DITEK Surge Protection, Largo, FL 33771 • Sales: 800-753-2345
Diteksurgeprotection.com • SPS-100095-007 Rev 2 05/26





DTK-DF240S1

240Vac Surge Protective Device



MECHANICAL SPECIFICATIONS

Connection Method:	Mechanical lugs 12AWG 3/4" NPT pre-drilled conduit holes 1/2" NPT pre-drilled hole for dry contact circuit
Housing:	ABS
Operating Temperature:	-4°F – 140°F (-20°C – 60°C)
Maximum Humidity:	95% non-condensing
Dimensions:	6.58 in. L x 5.33 in. W x 2.61 in. H (167 mm x 135 mm x 66 mm)
Weight:	1.15 lbs. (0.52 kg)

SAFETY STANDARDS AND CERTIFICATIONS

Certifications:	UL 1449 5 th Edition Type 2 SPD UL 1283 CSA C22.2 No. 269.2-17, 2017-02 Type 2 SPD
Standards Compliance:	RoHS
Warranty:	10 Year Limited Warranty