



DTK-HDMI Series

HDMI Surge Protectors

DITEK's DTK-HDMI Series single and dual channel surge protectors combine state-of-the-art circuit technology with HDMI connectors in a shielded enclosure to protect a variety of sensitive electronics. HDMI components are highly susceptible to Electrostatic Discharges (ESD) and power surge events. Without surge protection on your HDMI cables, surge events will degrade and destroy your sensitive electronics resulting in expensive repair and replacement costs



PRODUCT FEATURES

- HDMI 2.0a and HDCP 2.2 compatible
- Supports up to 4K UHD
- Available in single (DTK-HDMI1) and dual (DTK-HDMI2) channel models
- Includes mounting bracket
- Made in USA

APPLICATIONS

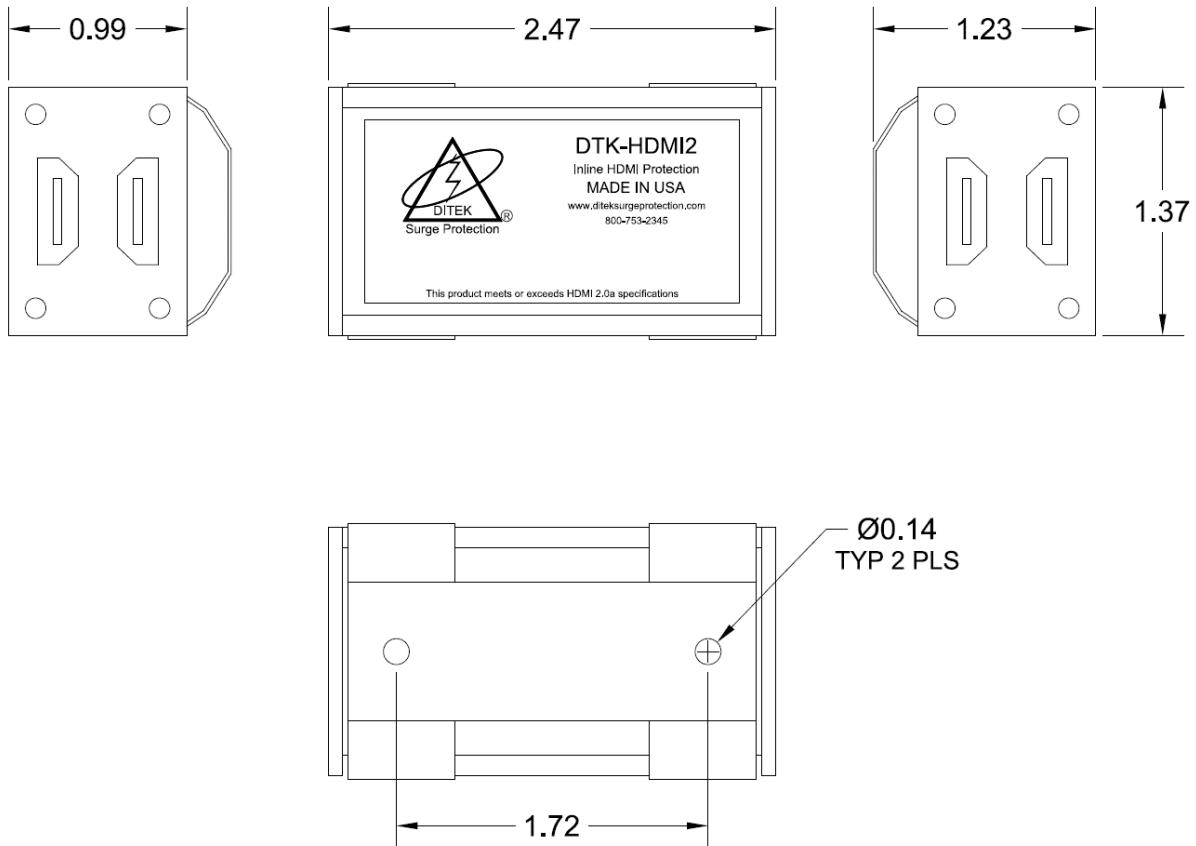
- HDTV
- Blu-ray Players
- A/V Amplifiers

TECHNICAL SPECIFICATIONS	
Service Voltage:	<5Vdc
Protection Modes:	Common Mode (Line-Ground) Differential Mode (Line-Line)
Clamping Voltage:	Common Mode: 150V Differential Mode: 5.5V
Surge Withstand Testing:	EN61000-4-2 (ESD) +/- 8kV (Contact) EN61000-4-4 (EFT) +/- 1kV EN61000-4-5 (Surge) +/- 1kV



DTK-HDMI Series

HDMI Surge Protectors



MECHANICAL SPECIFICATIONS	
Connection Method:	DTK-HDMI1 (1) HDMI female in/out DTK-HDMI2 (2) HDMI female in/out
Housing:	Aluminum powder coated
Dimensions:	2.47 in. L x 1.37 in. W x 0.99 in. H (63 mm x 35 mm x 25 mm)
Weight:	2.4 oz (68g)

SAFETY STANDARDS AND CERTIFICATIONS	
Standards Compliance:	EN 55035:2017 HDMI 2.0a HDCP 2.2
Warranty:	10 Year Limited Warranty

DITEK Surge Protection, Largo, FL 33771 • Sales: 800-753-2345
Diteksurgeprotection.com • SPS-100098-001 Rev 3 05/26



Every precaution has been taken to ensure that this is accurate and complete. DITEK Corporation assumes no responsibility and disclaims all liability for damages resulting from the use of this information or for any errors or omissions.