



# DTK-LVLP Series

Low Voltage Surge Protectors

DITEK's DTK-LVLP Series of low voltage surge protectors provide robust protection in a compact, hardwired package. Models are available to protect multiple low voltage pairs.



## PRODUCT FEATURES

- Protect up to (2) or (4) pairs to match your specific configuration needs
- Series connection, parallel function adds no resistance to circuits
- Five voltage levels available to protect various low voltage applications
- Small form factor reduces installation space requirements

## APPLICATIONS

- OSDP & Wiegand Circuits
- NAC, SLC & PIV Circuits
- 4-20mA Current Loops
- Low Voltage Power Circuits
- Automation Control Circuits

## ACCESSORIES

- DIN Rail Mounting Kit, P/N DTK-DRK

## PART NUMBER EXAMPLES

- DTK-4LVLP OPX 4 pairs, 48Vdc
- DTK-2LVLP PLV 2 pairs, 24Vdc

| TECHNICAL SPECIFICATIONS |  |       |       |       |        |
|--------------------------|--|-------|-------|-------|--------|
| DTK-2LVLP or DTK-4LVLP   | D  | X     | LV    | OPX   | RUV    |
| Service Voltage:         | 5Vdc   | 12Vdc | 24Vdc | 48Vdc | 130Vdc |
| MCOV:                    | 6V   | 18V   | 33V   | 64V   | 140V   |
| Clamping Voltage:        | 8V   | 22V   | 39V   | 76V   | 155V   |
| Wiring Configuration:    | 2 pair or 4 pair   |       |       |       |        |
| Protection Modes:        | Differential Mode (Line-Line)<br>Common Mode (Line-Ground) |       |       |       |        |
| Surge Current Rating:    | 5,000A   |       |       |       |        |
| Max. Continuous Current: | 5 amps   |       |       |       |        |

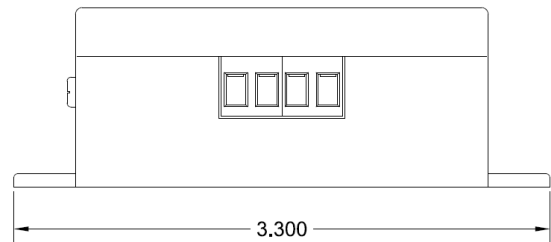
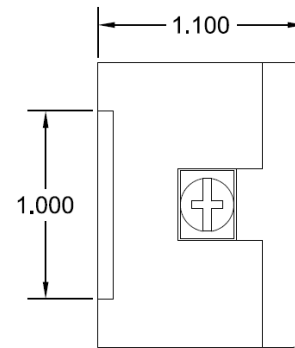
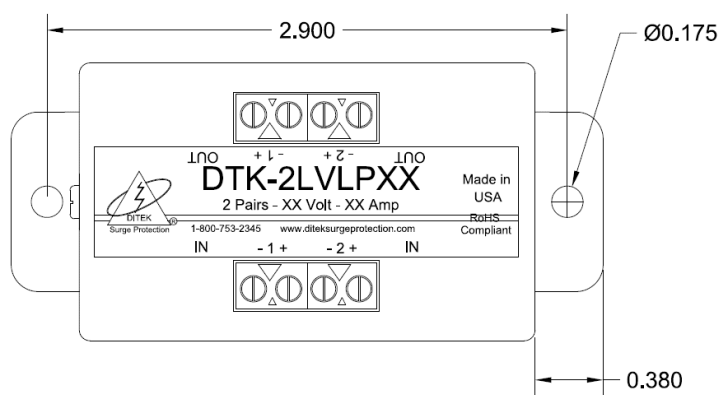
DITEK Surge Protection, Largo, FL 33771 • Sales: 800-753-2345  
Diteksurgeprotection.com • SPS-100030-001 Rev 16 04/26





# DTK-LVLP Series

Low Voltage Surge Protectors



## MECHANICAL SPECIFICATIONS

|                        |   |
|------------------------|---|
| Connection Method:     | Screw terminals 30-12AWG                                      |
| Housing:               | ABS   |
| Operating Temperature: | -40°F – 158°F (-40°C – 70°C)                                  |
| Maximum Humidity:      | 95% non-condensing  |
| Dimensions:            | 3.3 in. L x 1.55 in. W x 1.1 in. H<br>(84 mm x 39 mm x 28 mm) |
| Weight:                | 3.2 oz (91g)  |

## SAFETY STANDARDS AND CERTIFICATIONS

|                       |                          |
|-----------------------|--------------------------|
| Certifications:       | UL 497B                  |
| Standards Compliance: | RoHS                     |
| Warranty:             | 10 Year Limited Warranty |

DITEK Surge Protection, Largo, FL 33771 • Sales: 800-753-2345  
Diteksurgeprotection.com • SPS-100030-001 Rev 16 04/26



Every precaution has been taken to ensure that this is accurate and complete. DITEK Corporation assumes no responsibility and disclaims all liability for damages resulting from the use of this information or for any errors or omissions.