



DITEK Corporation  
ONE DITEK CENTER  
1720 Stankey Road  
Largo, FL 33771

# INSTALL INSTRUCTIONS

## DTK-PVPIP/DTK-PVPIPS/DTK-PVP56V

This Surge Protection Device (SPD) is a high performance device, designed to provide protection for sensitive electronic loads connected to service panels, fire panels, or where the SPD is directly connected to the electronic device. Maximum protection will only be achieved if the SPD is properly installed.

Please read and follow the installation instructions carefully.

**NOTICE:** This SPD should be installed and grounded, by a licensed contractor, per the applicable requirements of the NEC. These devices are only to be employed on the communication loop circuits which have been isolated from the Public Switched Telephone Network.

### APPLICATION:

DTK-PVPIP(S)-Surge suppression for IP/PoE video where data circuits use an RJ45 connection and 12V/24V camera and accessory power use a separate connection with a maximum wire gage of 12 AWG. DTK-PVP56V-Surge suppression for PoE applications utilizing Copper/Fiber Composite Cable. These devices are intended for indoor use or intended for outdoor use within an enclosure which has been evaluated for the application.

### INSTRUCTIONS:

**Caution:** Measure all voltages to insure applied voltage does not exceed the voltage rating of the unit. Improper installation voids the warranty.

This unit must be connected in series with the equipment to be protected.

TURN OFF ALL POWER BEFORE BEGINNING INSTALLATION.

#### VIDEO / DATA CONNECTION:

1. Connect the incoming wires to the "INPUT" RJ45 connector.
  2. Connect a CAT5e patch cable from the "OUTPUT" RJ45 connector to the equipment to be protected.
- NOTE: Patch cable should be 3-6 feet in length to allow for circuit reaction time.

#### CAMERA AND ACCESSORY CONNECTION:

1. Connect the incoming power wires to the "CAM" and/or "ACC" UNPROTECTED connector.
2. Connect the "CAM" and/or "ACC" PROTECTED connector to the camera or accessory to be protected. Circuit conductors must be 3-6 feet in length.
3. Always have one common ground per system to eliminate the possibility of a differential in ground potentials.

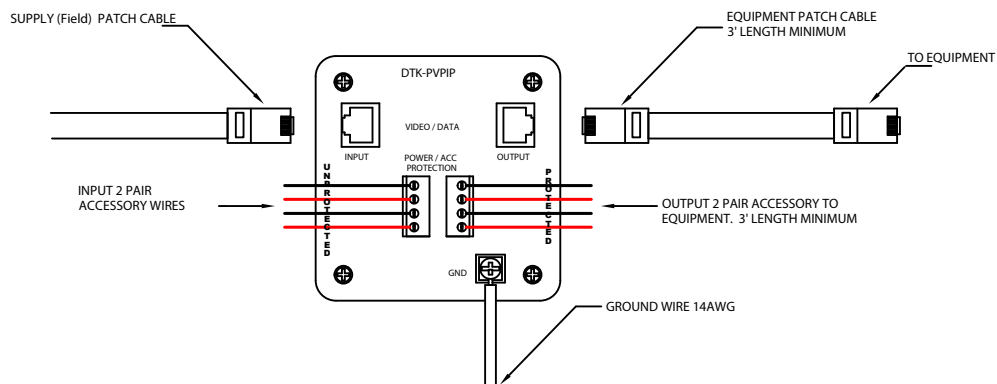
NOTE: The ground conductor should be a minimum #14 AWG wire, the length must be as short as possible.

**Ground Resistance Rule:** Max ground resistance is 25 ohms, 5 ohms or less is optimum.

This cannot be an assumed value and must be measured to assure proper grounding.

4. After all connections have been made and no hazards exist, restore power.

**Note:** The grounding detail is not applicable when a shielded protector using STP (Shielded Twisted Pair), with properly tipped shielded RJ45 connectors, has been terminated at a properly mounted and grounded shielded rack mount surge protector. The shield is used to dissipate the excess overvoltage. For DTK-PVPIPS, shielded single channel protector, use DTK-RM12ETHS, or DTK-RM24ETHS shielded rack mount multi-channel protector for IP (Ethernet) applications. For PoE applications use DTK-RM12POES, or DTK-RM24POES shielded rack mount multi-channel protector. (For Ethernet use ETHS devices, for POE use POE devices).



Drawn By: B. Aycok 6-7-16

Revised By: R. Mitchell 6-19-2020

DITEK Technical Support Available 24/7

1-888-472-6100 [www.diteksurgeprotection.com](http://www.diteksurgeprotection.com)

Doc # INT-100118-001

Part No. 191543 Rev. 7

INSTALLATION