



DITEK Corporation  
ONE DITEK CENTER  
1720 Starkey Road  
Largo, FL 33771

# INSTALL INSTRUCTIONS

## DTK-RM12NETS, DTK-RM16NETS, DTK-RM24NETS DTK-RM12EXTS, DTK-RM16EXTS, DTK-RM24EXTS

This Surge Protective Device (SPD) is a high performance device, designed to provide protection for sensitive electronic loads connected to service panels, fire panels, or where the SPD is directly connected to the electronic device. Maximum protection will only be achieved if the SPD is properly installed. Please read and follow the installation instructions carefully.

**NOTICE:** This SPD should be installed by a licensed contractor in accordance with the National and Local Electrical Codes and the following instructions.

### APPLICATION

Rack mount surge suppression for shielded Ethernet, PoE and PoE extender circuits with field replaceable surge modules (DTK-NETMS, DTK-EXTMS).

### INSTRUCTIONS

Note: This device is intended to be installed indoors on the equipment rack closest to the point of use.

1. Test circuit prior to install to verify correct operation.
2. Turn off the power to the equipment to be protected.
3. This device can be mounted in a standard 19" equipment rack, or wall mounted using a hinged wall mount bracket.
4. Connect to equipment ground using the ground lug provided on rear of faceplate. Use a minimum #10 AWG wire.

Make sure the ground wire is as short as possible.

**Ground Resistance Rule:** Max ground resistance is 25 Ohms, 5 Ohms or less is optimum.

This cannot be an assumed value and must be measured to assure proper grounding.

5. Plug the RJ45 tipped cable from the field or supply wiring to the **"IN" UNPROTECTED** RJ45 jack.
6. Plug a 3' RJ45 male to RJ45 male patch cable from the **"OUT" PROTECTED** RJ45 jack to the equipment to be protected. The 3' patch cable will give this device time to react.
7. After all connections have been made and no hazards exist, restore power to the equipment.

**Note:** The grounding detail for field installed network surge protectors is not applicable when a shielded protector using STP (Shielded Twisted Pair), with properly tipped shielded RJ45 connectors, has been terminated at a properly mounted and grounded shielded rack mount surge protector. The shield is used to dissipate the excess overvoltage. For example, DTK-MRJPOES, shielded single channel protector, use DTK-RM12NETS, DTK-RM16NETS or DTK-RM24NETS shielded rack mount multi-channel protector.

**Surge Module Install/Replacement:** There is no need to remove this protector from the rack, the surge modules can be installed/replaced while it is mounted.

This product is made up of 12, 16 or 24 individual surge modules.

If 1 or more channels self sacrifice, or go end of life, you can replace that module as follows:

1. Power down the individual circuit before servicing this device.
  2. Insert a 3/8" wide flat blade screwdriver into the top notch of the module's bezel.
  3. Gently turn the screwdriver to the right to loosen the bezel.
  4. Insert the screwdriver into the bottom notch and again gently turn the screwdriver to the right until the module is free of the mating connector located at the rear of the rack mount chassis.
  5. Remove module or blank bezel for new install.
  6. Insert new surge module into opening aligning the surge module with the integrated card guides. The orientation should match the previous module.
  7. Press the new surge module in place making sure it is seated completely and the bezel is flush with the rack mount chassis.
  8. Connect the RJ45 cables as mentioned in #5 and #6 of the **INSTRUCTIONS** listed above.
  9. After all connections have been made and no hazards exist, restore power to the circuit.
- Please see the illustrations page for more details.

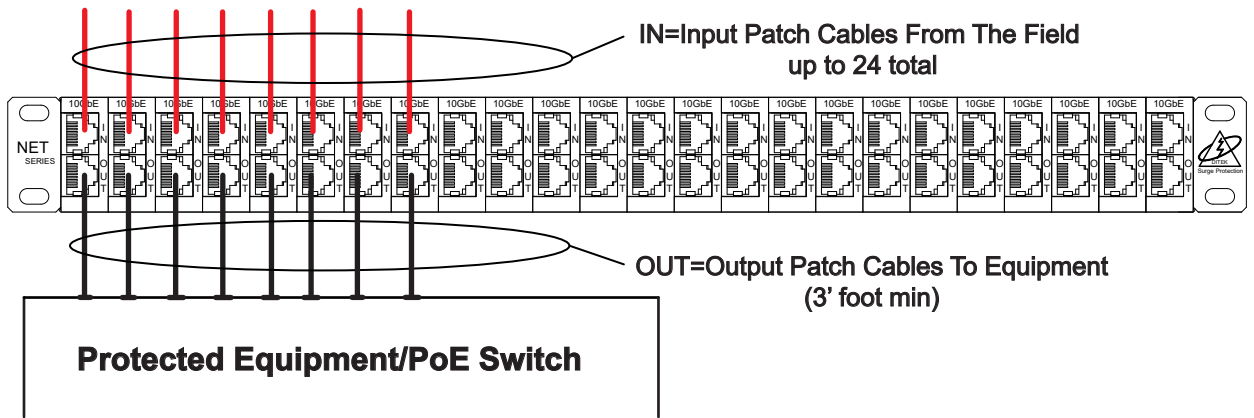
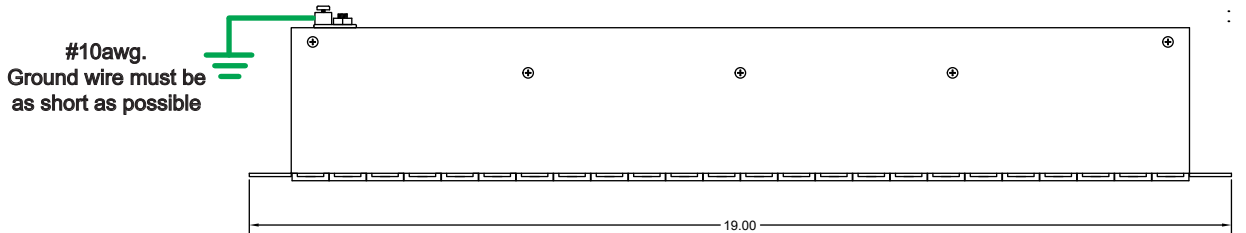
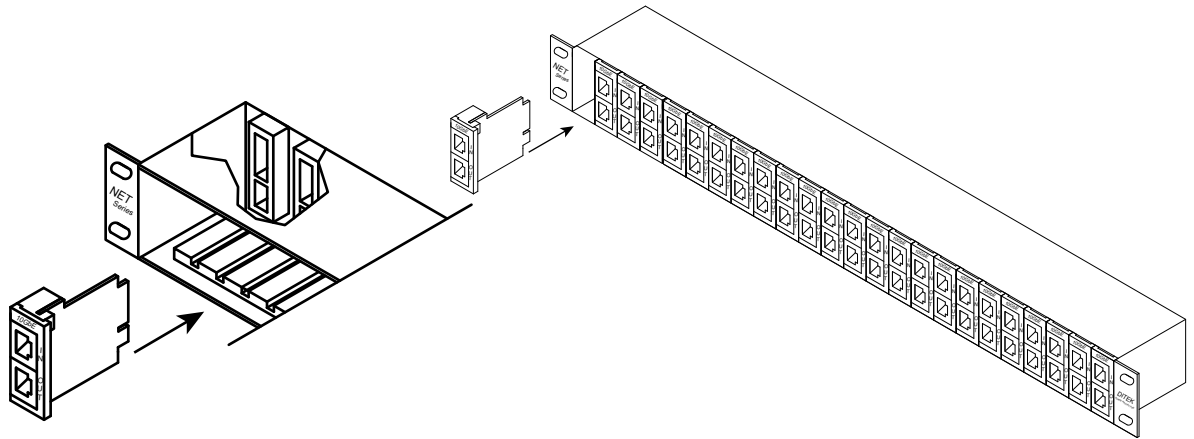


DITEK Corporation  
 ONE DITEK CENTER  
 1720 Starkey Road  
 Largo, FL 33771

# INSTALL INSTRUCTIONS

DTK-RM12NETS, DTK-RM16NETS, DTK-RM24NETS  
 DTK-RM12EXTS, DTK-RM16EXTS, DTK-RM24EXTS

## Illustrations Page



INSTALLATION